



CRUSHERS. SCREENERS. BULK HANDLING

Technical Specification
700ie HYBRID Electric

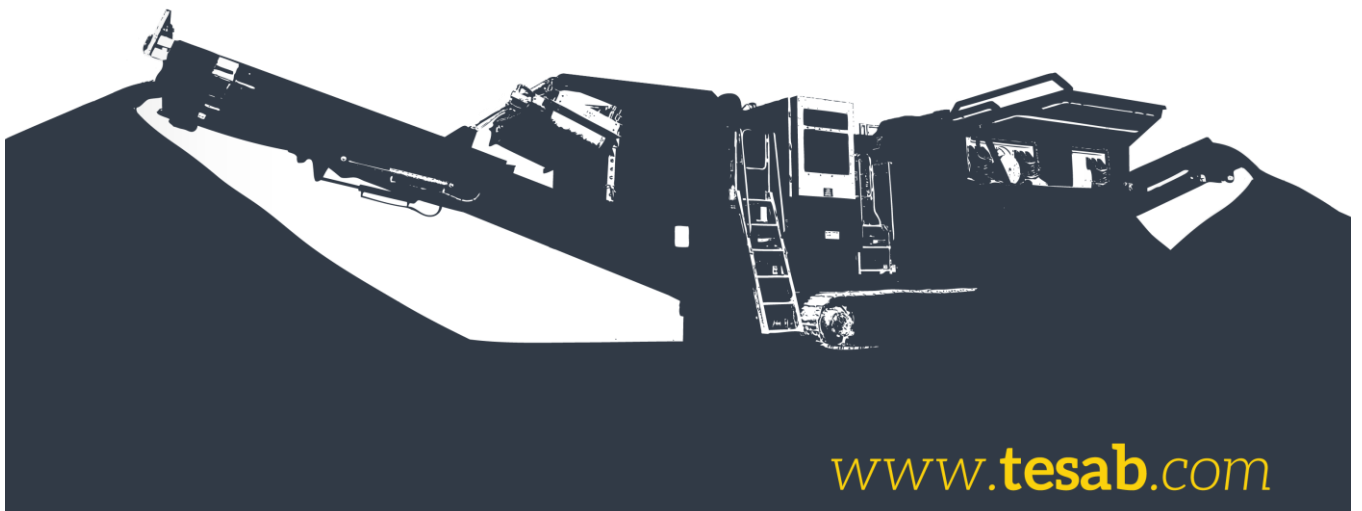
700ie HYBRID

MOBILE JAW CRUSHER

400V 50Hz

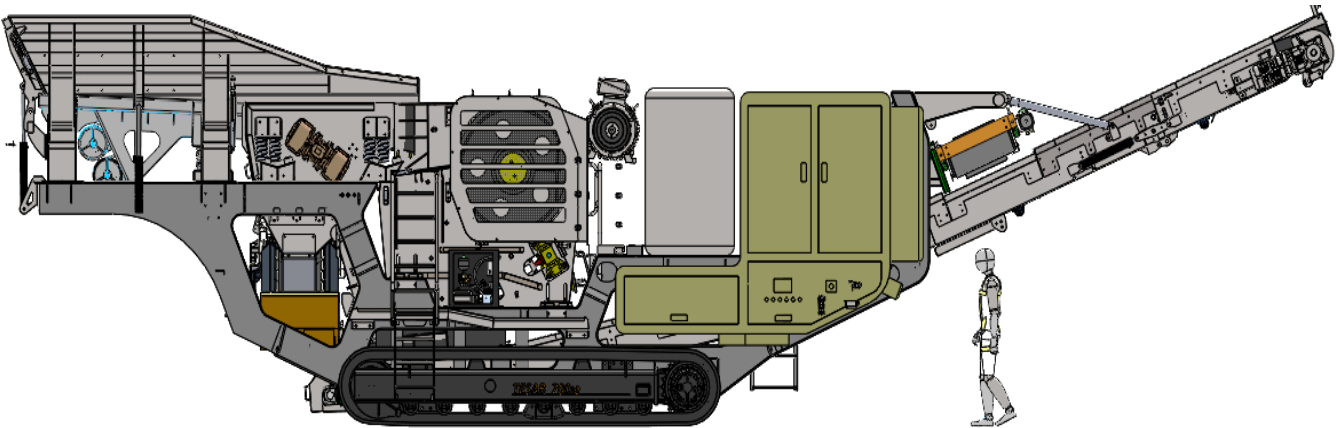
TECHNICAL SPECIFICATION

Subject to change without notice.



www.tesab.com

Engineered for Power, Built to Last



DESCRIPTION:

Self-Contained Mobile Jaw Crusher with the following features:

- Custom Panel Enclosure with integrated Air Conditioning
 - Minimal risk of electrical failure due to dust ingress
 - Operation in high ambient heat conditions
 - Enclosure includes fan heating element for cold climates as standard
- 10" HMI Colour Display with rugged touch screen interface that is gloves compliant
- Mobile App as standard for HMI access through phone/tablet
- Machine Input power from removable onboard Diesel Genset **or** Utility Mains Supply
- Panel Enclosure has a Heavy-Duty multicore Cable Single Socket & Plug for mains supply termination as standard. No hard wiring required to inside panel enclosure
- C7.1 225kW 230kVA Stage 5 Diesel Genset removable on site for use at ground level as standalone unit for powering the machine (optional cabling required) or power other equipment if not. Lifting points supplied
- 2 power sources can be connected at once – lockable 3 position Isolator switch. Generator - Off - Mains
- Variable Speed - Heavy Duty Single Toggle Jaw Crusher
- 1050mm x 700mm (41" x 28") Crusher Feed Size
- 1550mm (61") Crusher Jaws
- Reverse Operation of Crusher via Single Button
- Auto-Unblocking of Crusher via Single Button
- Hydraulically Adjustable Jaws with Safety Release
- Integrated Electric Linear Drive Primary Feeder
- Variable Speed Control on Primary Feeder
- 2 Deck Independent Electric Linear Scalping Feeder
- 1200mm Hydraulically Folding Product Conveyor
- Product Conveyor Hydraulically Lowers to Ground Level for Ease of Access and Service
- 2 Way Dirt Chute & Hydraulically Folding Dirt Conveyor
- Independent Feeder Remote Control
- Magnet & Recycling Picking Platform
- Hydraulically Folding & Locking Cribs
- 400mm Wide 2 Speed Crawler Tracks
- Fast on-Site setup Time – 20 Minutes

DIMENSIONS AND WEIGHT:

- Length – Transport: - 14.3m (47')
- Length – Working: - 16.08m (52' 9")
- Width – Transport: - 2.94m (9' 8")
- Width – Working: - 5.59m (18' 4")
- Height – Transport: - 3.4m (11' 2")
- Weight: - 47,320 Kg (104,323 lbs)

NOTE: The weights and dimensions stated here are given for a standard machine only. Optional extras fitted to the machine and/or transportation laws in force in various countries, may alter the transportation weight and dimensions of the machine.

HOPPER:

- Hopper Length: - 5000mm (16'-5")
- Hopper Width: - 2750mm (9')
- Hopper Capacity: - 10m³ (13yd³)
- Spec: - Heavy duty 12mm thick AR400 plate
- Folding: - Hydraulic ram folding and locking wedges
- Wear Plates: - OPTIONAL (10mm AR400)

PRIMARY FEEDER:

- Vibrating Unit: - Twin 2.3kW Electric Vibration Motors
- Feeder Type: - Electric Linear Plate Feeder
- Variable Feeder Speed: - YES
- Max Feeder Amplitude: - 9mm Stroke
- Max Feeder G-Force: - 4.5 G-Force
- Feeder Length: - 2.6m (8' - 6")
- Feeder Width: - 1000mm (3' - 3")
- Remote Control Start/Stop: - YES
- Wear Plate: - 15mm AR400 STANDARD

SCALPING FEEDER:

- Feeder Motor: - Twin 2.5kW Electric Vibration Motors
- Max Feeder Amplitude: - 7.5mm @ 50Hz
- Max Feeder G-Force: - 4.1 G
- Feeder Screen Dimensions - Top Deck: - 1.75 x 1.06m (5' 9" x 3' 5")
- Feeder Screen Type - Top Deck: - 3" Grizzly Deck
- Tensioning - Top Deck: - Bolted
- Feeder Screen Dimensions - Bottom Deck: - 1040mm x 1015m (3'-5" x 3'-4")
- Feeder Screen Type - Bottom Deck: - Weld Mesh or Punch Plate
- Variable Feeder Speed: - No
- Remote Control Start/Stop: - Yes

CRUSHER:

- Direct Drive Electric Motor: - WEG 110kW (3 Year Warranty)
- Feed Opening: - 1050mm x 700mm (3' - 5" x 2' - 4")
- Jaw Length: - 1550mm (61")
- Maximum Crusher Speed: - 288 Rpm
- Minimum Crusher Setting: - 75mm (3")
- Maximum Crusher Setting: - 150mm (6")
- Max Feed Size: - 700mm (28")
- Crusher Drive: - Direct Drive SPC V-Belt 8 off
- Bearings: - Self Aligning Spherical Roller Bearings
- Hydraulic Crusher Adjustment: - YES
- Overload Protection System: - YES
- Overfill Protection: - YES
- Crusher Speed Sensor: - YES
- Variable Speed: - YES
- Reverse Operation: - YES
- AUTO – UNBLOCK Feature: - YES

MAIN PRODUCT CONVEYOR:

- Twin Drive Electric Motor: - 2 x WEG 7.5kW (3 Year Warranty)
- Gearbox: - 2 x Bonfiglioli (2 Year Warranty)
- Discharge Height: - 3950mm (13') @ 22 deg
- Belt Width: - 1200mm (48")
- Belt Spec: - Plain EP630/4 6+2
- Drive Drum Diameter: - 300mm (12")
- Tail Drum Diameter: - 250mm (10")
- Belt Speed: - Factory set @ 100 m/min
- Hydraulic Lower to Ground Level: - YES
- Hydraulic Folding Head Section - YES

SIDE DIRT CONVEYOR:

- Single Electric Motor: - WEG 5.5kW (1 Year Warranty)
- Gearbox: - Bonfiglioli (2 Year warranty)
- Discharge Height: - 2200mm (7' 3")
- Optional Telescopic Conveyor: - 3000mm (9' 10")
- Belt Width: - 650mm (26")
- Belt Spec: - Plain – 500/3
- Drive Drum Diameter: - 220mm (8.6")
- Tail Drum Diameter: - 220mm (8.6")
- Belt Speed: - Set at 100 m/min
- Hydraulic folding for Transport: - YES
- Left or Right Side Compatible: - YES

CONTROL PANEL ENCLOSURE:

- 10" HMI Colour Touch Screen: - Hitachi - glove compatible
- Ambient Operating Temperature range: - (-20°C to +40°C)
- Air Conditioning Unit: - Rittel unit with removable filters.
- Crusher Variable Speed Drives: - WEG 110-132kW VSD
- Primary Feeder Variable Speed Drive: - WEG 15kw VSD
- Product Conveyor Soft Start: - WEG 15kW Soft Start
- Switchgear and Contactors: - Allen Bradley
- Input from Power from Genset: - P3 Connectors on 4 single core cables L1; L2; L3+PE
Hardwired at panel side with plugs at genset side
- Input from Mains Supply: - Marechal 4 Pin Socket on Panel as standard
Includes Plug for 1 Multicore Cable Mains termination
- Thermal Overload protection - YES
- Thermostat controlled Internal Heating Element Fan: - YES
- Surge Protection: - YES
- Mains monitoring Relay: - YES
- Internal LED Light Activated Door Open: - YES
- Limit switch on door to ensure door is closed for operation: - YES
- Document Holder: - YES

DIESEL GENERATOR SET:

- Engine: - CAT C7.1 Tier 4 (Stage 5)
- Engine Power: - 300Hp - 225 Kw
- Alternator Brand: - Leroy Somer (1 year warranty)
- Alternator Spec: - LSA- J6/4 250 kVA + abrasive air winding protection
I-PMG for independent AVR voltage reference
- Generator Rating: - 230kVA
- Controller Panel: - DSE 7310 Deepsea controller
- Engine Speed: - 1500 Rpm @ 50HZ
- Diesel Tank Capacity: - 400 Litres (106 US Gal)
- DEF Tank Capacity: - TBC Litres (US Gal)
- Machine Power Output Sockets: - P3 Connectors Power Distribution Box
- Auxiliary Power Output Sockets: - Selection of standard 1 & 3 Phase sockets.
- Earth Leakage Relay: - YES
- Interlocked Machine/Auxiliary Sockets Switch: - YES
- Lifting Points: - YES
- 10m Earth Spike Supplied: - YES

HYDRAULIC POWERPACK:

- Electric Motor: - WEG 55kW (1 Year Warranty)
- Hydraulic Pumps: - Hydreco 34/34cc Tandem
- Hydraulic Tank Capacity: - 185 Liters (49 US Gallon)
- Auxiliary Output Coupling: - YES
- Auxiliary Output Flow: - 100Lpm approx.

ELECTRICS

- Chassis Cabling: - SWA Cable
- Emergency Stops: - 8 off, 1 @ Powerunit
1 @ Main Control Panel
1 @ Upper Catwalk
1 @ Middle Catwalk
2 @ Rear Chassis LH & RH Sides
1 @ Toolbox LH Side
1 @ Control Console RH Side
- Start Siren: - YES – 10 Second Delay
- Warning Beacon: - YES
- Tracking Siren: - YES – 10 Second Delay
- Tracking Beacon: - YES
- Genset Engine Shutdowns: - Low Oil Pressure
- High Water Temp
- Air Filter Blockage
- Fuel Contamination
- Electrical Leakage
- Crusher Shutdowns: - Electrical Overload
- Thermal Overload
- Crusher Overfill Detection: - YES
- Crusher Speed Sensor: - YES
- Automatic Feeder Shut Off System: - YES
- Product Conveyor Tail Lift Detection: - YES
- Remote Control Feeder: - YES
- Pendant Track Control: - YES
- Radio Control Tracks: - OPTIONAL

TRACKS:

- Motor: - Mil 2 speed (105cc Max / 59cc Min)
- Gearbox: - PMCI4500
- Ratio: - 119:1
- Speed Max: - 0.5 / 0.8 Kph (0.5 Mph)
- Width: - 400mm (15.8")
- Sprocket/Idler Centres: - 3800mm (12'-6")
- Height: - 816mm (32")
- Flow Rate: - 51 Lpm (13.4 US Gpm)
- Gradeability: - 30°
- Attachment to chassis: - Bolt On

SAFETY FEATURES:

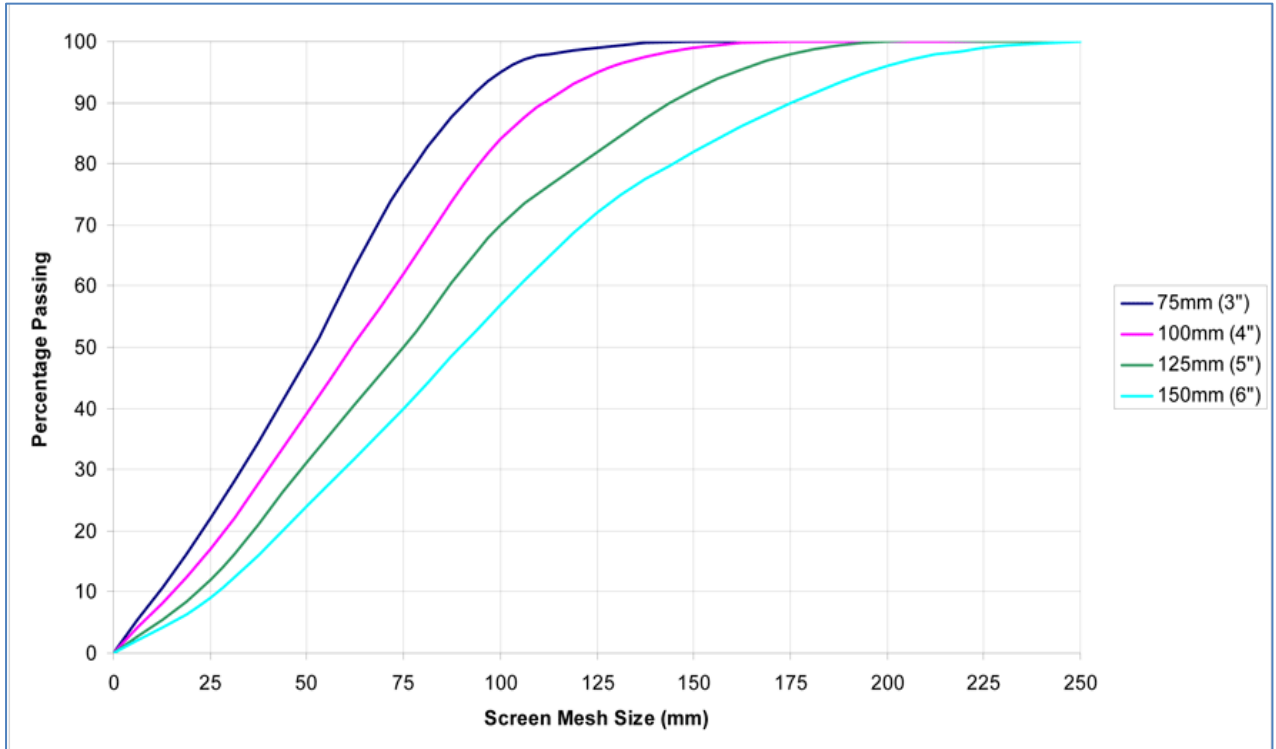
- Genset & Utility Mains Safety Shutdown Systems
- Earth Leakage Protection Inbuilt to Genset
- 10m Earth Spike provided as standard
- Tracking only enabled when utility mains supply is completely disconnected and operating with Genset onboard the machine
- Machine can detect if the Diesel Genset is removed from the machine
- Full Safety Guarding for Nip Points
- Crusher Speed and Overfill Protection Systems
- Key Switch Operated Tracking System
- 10 Second Start and Tracking Delays
- Easy Access Lubrication Points
- CE Compliance

OPTIONS:

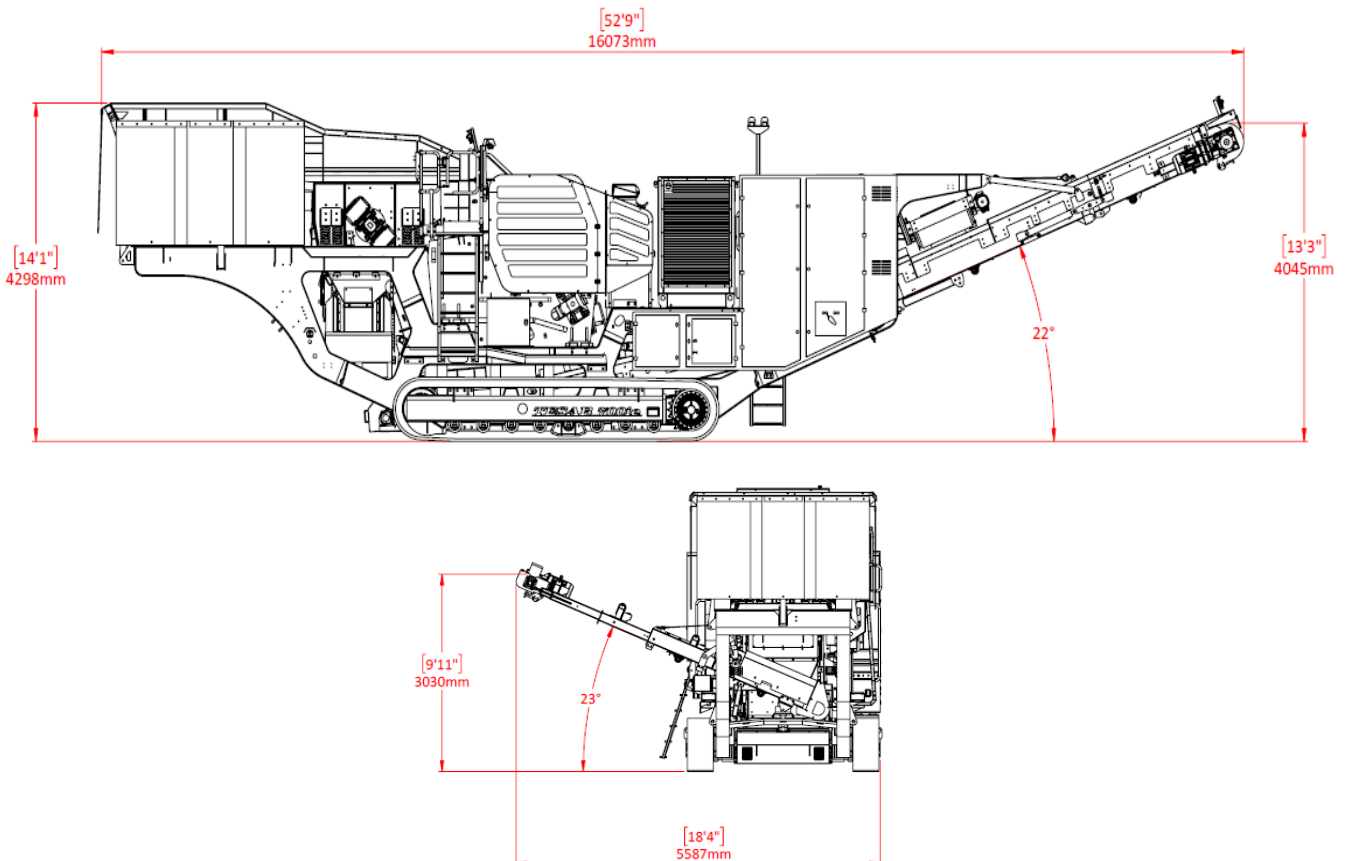
- 3G Remote Access to Machine for Monitoring Operating Parameters
- 10m L1; L2; L3+PE Genset Extension cabling for running Generator Set off the machine at ground level
Includes Manual Cable Reel for storage of Extension Cabling.
- Hydraulic Recycling Deflector Plate
- Radio Remote Control for Tracks
- Autolube System
- Belt Weigh Scales
- E-Stop Pull Wires
- Working Lights
- Conveyor Dust Covers & Dust Suppression Water Pump
- Donaldson Heavy Duty Engine Air Filtration system
- Mine Spec Guards & Product Conveyor Head Chute
- Conveyor Belt Upgrade & Jaw Plate Upgrade Options

NOTE: Fitting optional extras to machine may increase the manufacturing lead time & alter the weight and transport dimensions of machine.

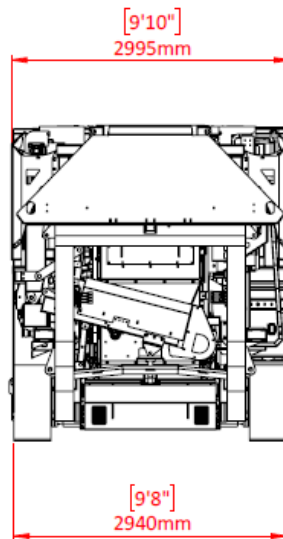
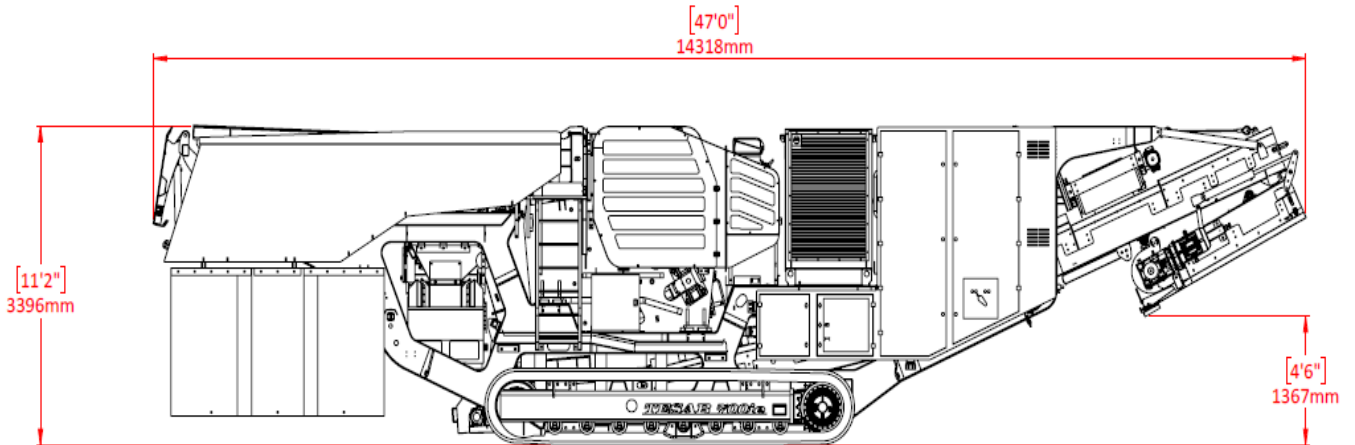
SIEVE ANALYSIS:



WORKING DIMENSIONS:



TRANSPORT DIMENSIONS:



SERVICE DIMENSIONS:

